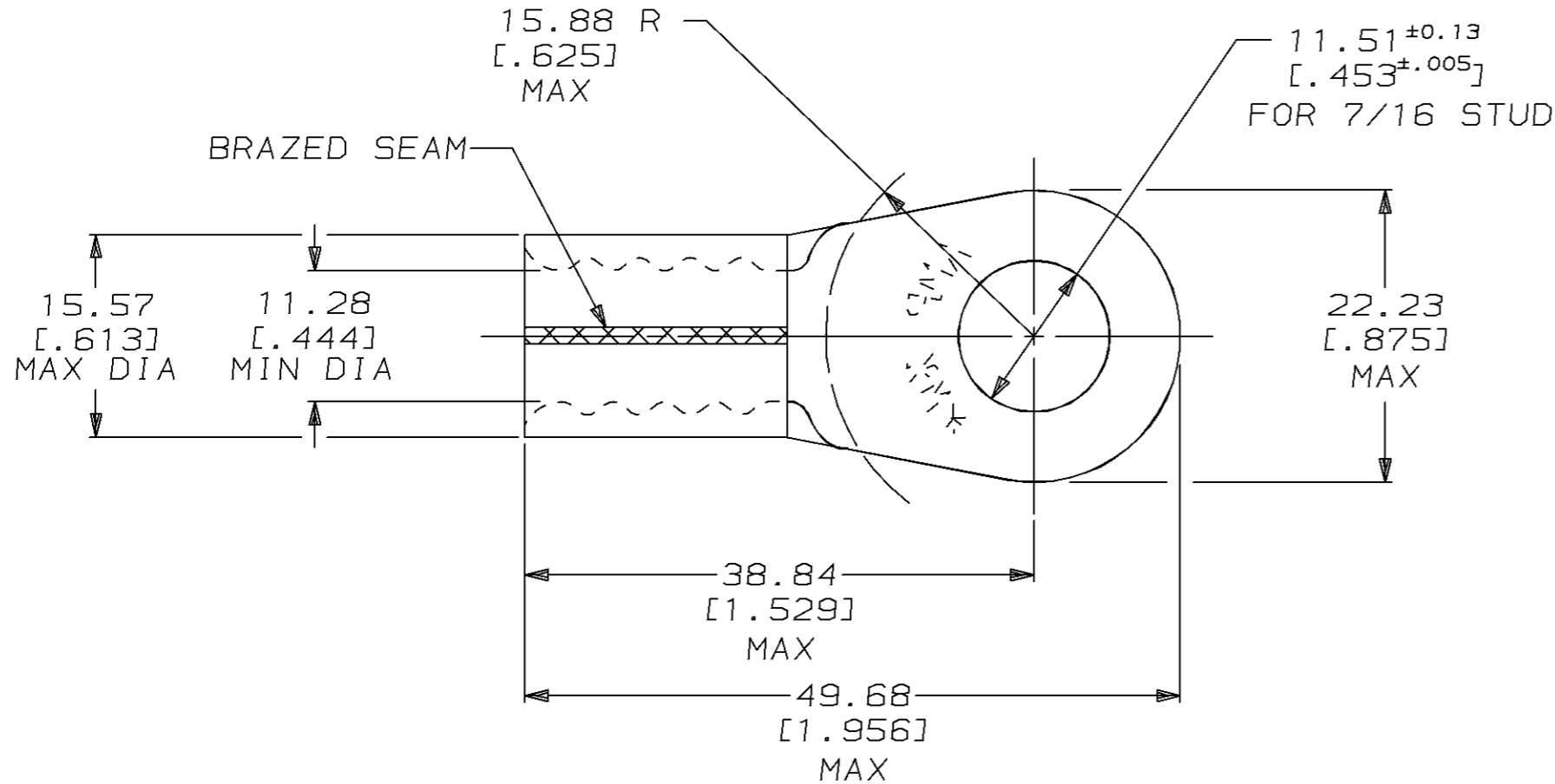


THIS DRAWING IS UNPUBLISHED. RELEASED FOR PUBLICATION, 19 .
 © COPYRIGHT 19 BY AMP INCORPORATED. ALL INTERNATIONAL RIGHTS RESERVED.

LOC	DIST	P	F	ZONE	LTR	DESCRIPTION	DATE	APPD
G	14				E	REVISED PER 0720-0465-95	03MAR95	OKS AJK



△ TIN PL 0.00254 [.000100] MIN THK PER MIL-T-10727

METRIC

△	COPPER ASTM B-152 1.78 ±0.08 [.070 ±.003] ANNEALED	36918
FINISH	MATERIAL	PART NO
DO NOT SCALE PRINT. UNLESS SPECIFIED DIMENSIONS IN mm [INCHES] TOLERANCES ON: 2 PLC DEC ± 0.20 [.008] 3 PLC DEC ± - ANGLES ± -	DR 7/2/91 DK SCHRUM CHK 8/15/91 RD HEIM APPD 8/15/91 AJ KAUFMAN APPD 8/15/91 AJ ADELMANN PRODUCT SPEC -	AMP AMP Incorporated Harrisburg, PA 17105-3608
MATERIAL SEE TABLE	FINISH SEE TABLE	NAME TERMINAL, RING TONGUE, SOLISTRAND™ WIRE SIZE: 50.0mm ² [1/0] AWG
	APPLICATION SPEC - WEIGHT -	SIZE B CAGE CODE 00779 DRAWING NO 36918
		SCALE 2:1 SHEET 1 OF 1